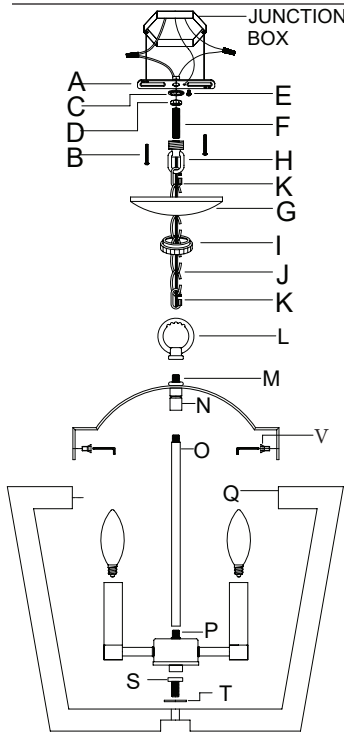


Assembly Instructions: 7802-4P/6P

IMPORTANT:

- ALL INSTALLATION WORK SHOULD BE DONE BY ACCREDITED PROFESSIONAL.
- SHUT OFF POWER SUPPLY AT FUSE OR CIRCUIT BREAKER!
- USE ONLY THE SPECIFIED BULBS. DO NOT EXCEED THE MAXIMUM WATTAGE!

For Customer Service, contact the place of purchase to arrange for replacement parts.



ASSEMBLING THE FIXTURE

2. Feed the fixture wires from bottom nipple (P) through the rod (O). Carefully pull the fixture wires through the rod up to joint (N). Pull the wires until taut. Thread the rod (O) to the bottom nipple (P) to secure. Feed the wires through joint (N), top nipple (M), and top loop (L). Attach top loop (L) to the top nipple (M). Pull the wires until taut. Attach each of the chain connectors (K) to each end of chain (J) before attaching one end of the chain connector/chain to top loop (L). Connect the other chain connector (K) to the canopy loop (H). Close the chain connectors to secure. Feed the fixture's wires up through the chain (J) (every three links or so), pulling the wires until taut. Gently slide canopy loop collar (I) and canopy (G) down onto the chain/wires. Trim excess wires leaving about 8 to 10 inches for later.

CONNECTING THE WIRES

3. Have an assistant support the fixture's weight while completing the wiring. Refer to the wiring diagram and attach the fixture's wires to the power supply wires from the junction box. Connect Hot to Hot (transparent wire with black inner thread, black, or smooth wire) Neutral to Neutral (transparent wire with white inner thread, white, or ribbed wire), and Ground to Ground (transparent wire with green inner thread, green wire, or copper). Twist the ends of the wire pairs together, and then twist on a wire connector. Make sure all twists are in the same direction. If there is no house ground wire coming from the junction box, locate ground screw (E) on the mounting bracket/mounting strap and wrap the fixture's ground wire around the ground screw. Use a screwdriver to tighten the top of ground screw (E) onto the wires and into the mounting bracket/mounting strap. Tuck the wires into the junction box.

FINISHING THE INSTALLATION

4. Raise canopy (G) up to the ceiling and slide canopy loop collar (I) up beneath the canopy (G). Tightly thread canopy loop collar (I) onto canopy loop (H) to secure canopy (G) in place until snug against the ceiling. Lay wood frame (Q) on top of wood frame (R), aligning the cut out pieces on the bottom of the frame to be perpendicular. Secure wood frames (Q & R) together using screw (S), washers (T), and finial (U) in the order shown in the above diagram. Align the holes found on wood frames (Q & R) with the holes found on the metal arms of the lamp body. Use screws (V) and the tool provided to attach the wood frames (Q & R) to the lamp body by inserting screws (V) through the holes found and tightening with the tool provided to secure.

Install light bulbs (not included) in accordance with the fixture's specifications. Do not exceed the maximum Your installation is now complete. Turn on the power and test the fixture.

CLEANING TIPS

Treat the fixture gently! Regular cleaning will reduce the need for deep cleaning. For regular cleaning, turn off the light and wipe down the fixture with a clean lint-free cotton or microfiber cloth. Never spray cleaner directly onto the fixture.

PREPARING FOR INSTALLATION

Remove all of the contents from the carton. See the important notes above. Shut off the power at the circuit breaker and completely remove the old fixture from the wall, including the old mounting strap.

1. From the parts bag remove the mounting strap (A) assembly. One end of nipple (F) should be attached to mounting strap (A) with washer (C) and hex nut (D) in place. The other end should have canopy loop (H) attached. Attach mounting strap (A) to the junction box using mounting screws (B) and a screwdriver. Tighten securely. Unscrew canopy loop collar (I) from canopy loop (H). Pass canopy (G) over the mounted canopy loop to test the height. Approximately half of the canopy loop's exterior threads should be exposed, and the canopy loop collar should fit snugly onto the canopy loop. Remove canopy (G) and adjust the height of nipple (F) and canopy loop (H) until the desired height is reached.

How to Identify the Fixture's Wires

Hot	Neutral	Ground
Smooth	Ribbed	Bare Metal, Green, or Green Inner Thread
Black	White	White Inner Thread
Black Inner Thread	White Inner Thread	

